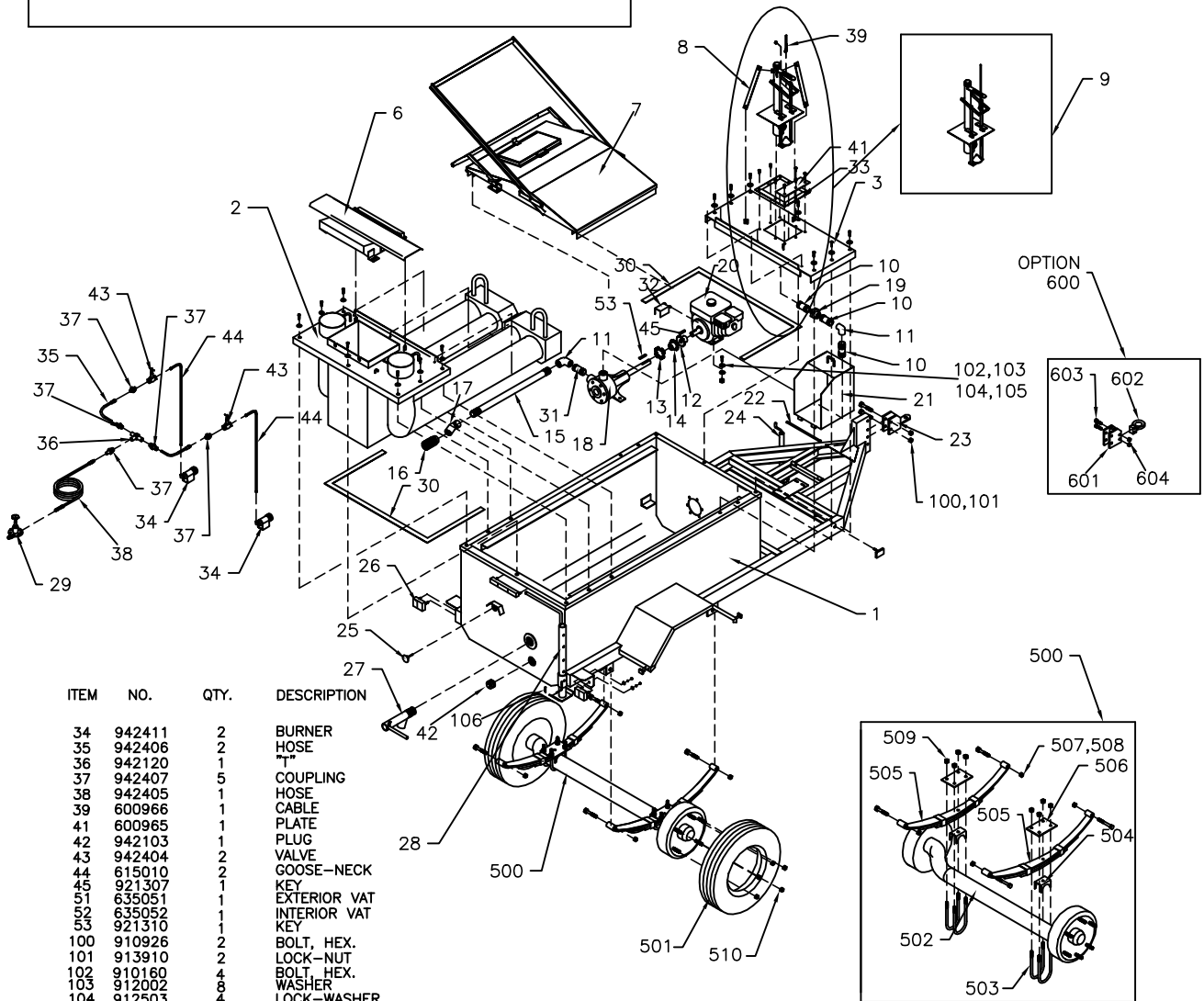


ITEM	NO.	QTY.	DESCRIPTION
1	635001	1	FRAME
2	635002	1	HEATING UNIT
3	635003	1	COVER
4	635004	1	COVER
5	635005	2	LID SUPPORT
6	635006	1	COVER
7	600930	2	LID
8	600933	3	FLAT BAR
9	600901	1	SAFETY FLOW VALVE ASSY.
10	942002	3	NIPPLE
11	942085	2	ELBOW
12	940123	1	COUPLING
13	940125	1	CHAIN
14	940124	1	COUPLING
15	942011	1	PIPE
16	600924	1	STRAINER
17	942065	1	ELBOW
18	942302	1	PUMP
19	942042	1	UNION
20	950270	1	ENGINE
21	600936	1	COVER
22	600937	1	ROD
23	600908	1	HITCH
24	942920	1	JACK
25	942501	1	THERMOMETER
26	942900	1	LIGHT ASSY.
27	601201	1	DRAINCOCK
28	600916	1	LEG
29	942400	1	REGULATOR
30	941021	2	GASKET
31	942005	1	NIPPLE
32	601016	1	COVER
33	600929	1	GASKET



ITEM	NO.	QTY.	DESCRIPTION
34	942411	2	BURNER
35	942406	2	HOSE
36	942120	1	HOSE
37	942407	5	COUPLING
38	942405	1	HOSE
39	600966	1	CABLE
41	600965	1	PLATE
42	942103	1	PLUG
43	942404	2	VALVE
44	615010	2	GOOSE-NECK
45	921307	1	KEY
51	635051	1	EXTERIOR VAT
52	635052	1	INTERIOR VAT
53	921310	1	KEY
100	910926	2	BOLT, HEX.
101	913910	2	LOCK-NUT
102	910160	4	BOLT, HEX.
103	912002	8	WASHER
104	912503	4	LOCK-WASHER
105	913007	4	NUTS,HEX.
106	914905	2	HITCH PIN
500	942202	1	AXLE
501	935040	2	WHEEL
510	942260	10	NUTS,HEX.
600	600949	1	OPTION
601	600940	1	HITCH BRACKET
602	942925	1	PINTAL EYE
603	910916	2	BOLT, HEX.
604	913905	2	LOCK-NUT

DATE:	02.25.1999
REV.:	11.20.2014
<b>EQUIPMENT GRIZZLY EQUIPMENT</b>	

400 GAL. KETTLE

640000