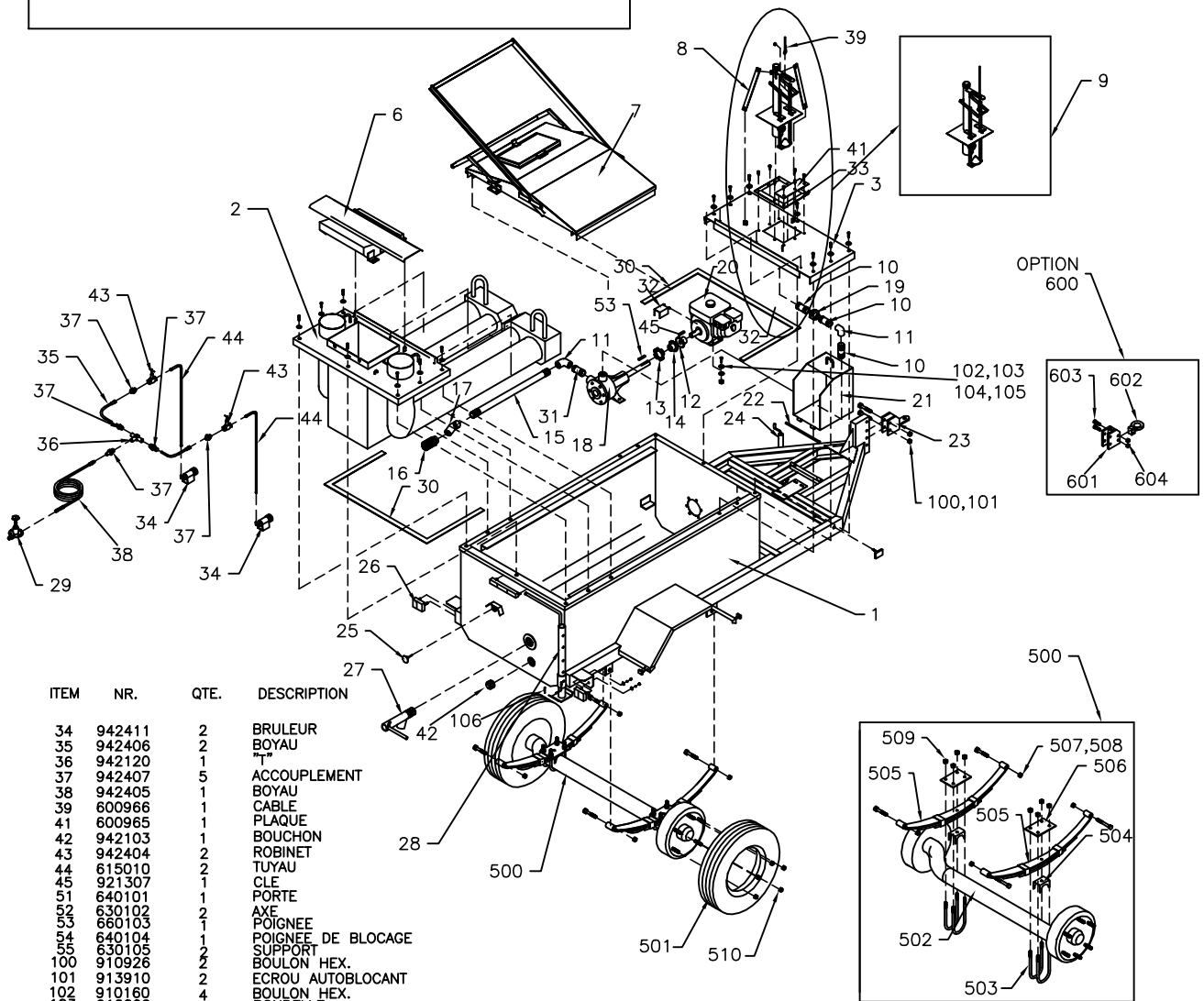


| ITEM | NR.    | QTE. | DESCRIPTION                 |
|------|--------|------|-----------------------------|
| 1    | 635001 | 1    | CHASSIS                     |
| 2    | 635002 | 1    | UNITE DE CHAUFFAGE COMPLETE |
| 3    | 635003 | 1    | COUVERT                     |
| 4    | 635004 | 1    | COUVERT                     |
| 5    | 635005 | 2    | SUPPORT DE PORTE            |
| 6    | 635006 | 1    | COUVERT                     |
| 7    | 640100 | 2    | PORTE                       |
| 8    | 600933 | 3    | TIGE                        |
| 9    | 600901 | 1    | VALVE COMPLETE              |
| 10   | 942002 | 3    | MAMELON                     |
| 11   | 942085 | 2    | COUDE                       |
| 12   | 940123 | 1    | DEMI-ACCOUPLMENT A CHAINE   |
| 13   | 940125 | 1    | CHAINE                      |
| 14   | 940124 | 1    | DEMI-ACCOUPLMENT A CHAINE   |
| 15   | 942011 | 1    | TUYAU                       |
| 16   | 600924 | 1    | TAMIS                       |
| 17   | 942065 | 1    | COUDE                       |
| 18   | 942302 | 1    | POMPE                       |
| 19   | 942042 | 1    | UNION                       |
| 20   | 950270 | 1    | MOTEUR                      |
| 21   | 600936 | 1    | COUVERT MOTEUR              |
| 22   | 600937 | 1    | AXE COUVERT MOTEUR          |
| 23   | 600908 | 1    | BARRE DE TIRE               |
| 24   | 942920 | 1    | PATTE AJUSTABLE             |
| 25   | 942501 | 1    | TERMOMETRE                  |
| 26   | 942900 | 1    | LUMIERE (ENSEMBLE COMPLET)  |
| 27   | 601201 | 1    | ROBINET                     |
| 28   | 600916 | 1    | PATTE                       |
| 29   | 942400 | 1    | REGULATEUR                  |
| 30   | 941021 | 2    | GARNITURE                   |
| 31   | 942005 | 1    | MAMELON                     |
| 32   | 601016 | 1    | COUVERT                     |
| 33   | 600929 | 1    | CASKET DE VALVE             |



| ITEM | NR.    | QTE. | DESCRIPTION         |
|------|--------|------|---------------------|
| 34   | 942411 | 2    | BRULEUR             |
| 35   | 942406 | 2    | BOYAU               |
| 36   | 942120 | 1    |                     |
| 37   | 942407 | 5    | ACCOUPLMENT         |
| 38   | 942405 | 1    | BOYAU               |
| 39   | 600966 | 1    | CABLE               |
| 41   | 600965 | 1    | PLAQUE              |
| 42   | 942103 | 1    | BOUCHON             |
| 43   | 942404 | 2    | ROBINET             |
| 44   | 815010 | 2    | TUYAU               |
| 45   | 921307 | 1    | CLE                 |
| 51   | 640101 | 1    | PORTE               |
| 52   | 630102 | 2    | AXE                 |
| 53   | 660103 | 2    | POIGNEE             |
| 54   | 640104 | 1    | POIGNEE DE BLOCAGE  |
| 55   | 630105 | 1    | SUPPORT             |
| 100  | 910926 | 2    | BOULON HEX.         |
| 101  | 913910 | 2    | ECROU AUTOBLOCANT   |
| 102  | 910160 | 4    | BOULON HEX.         |
| 103  | 912002 | 8    | RONDELLE            |
| 104  | 912503 | 4    | RONDELLE A RESSORT  |
| 105  | 913007 | 4    | ECROU HEX.          |
| 106  | 914905 | 2    | GOUPILLE D'ATTelage |
| 500  | 942202 | 1    | ESSIEU              |
| 501  | 935040 | 2    | ROUE                |
| 510  | 942260 | 10   | ECROU HEX.          |
| 600  | 600949 | 1    | OPTION              |
| 601  | 600940 | 1    | MOYEU DE TIRE       |
| 602  | 942925 | 1    | LUNETTE AJUSTABLE   |
| 603  | 910916 | 2    | BOULON HEX.         |
| 604  | 913905 | 2    | ECROU AUTOBLOCANT   |

|  |            |
|--|------------|
| DATE:  | 25.02.1999 |
| REV.:  | 20.11.2014 |
| <b>EQUIPEMENT<br/>GRIZZLY<br/>EQUIPEMENT</b> |            |

BOUILLLOIRE 400 GAL

640000