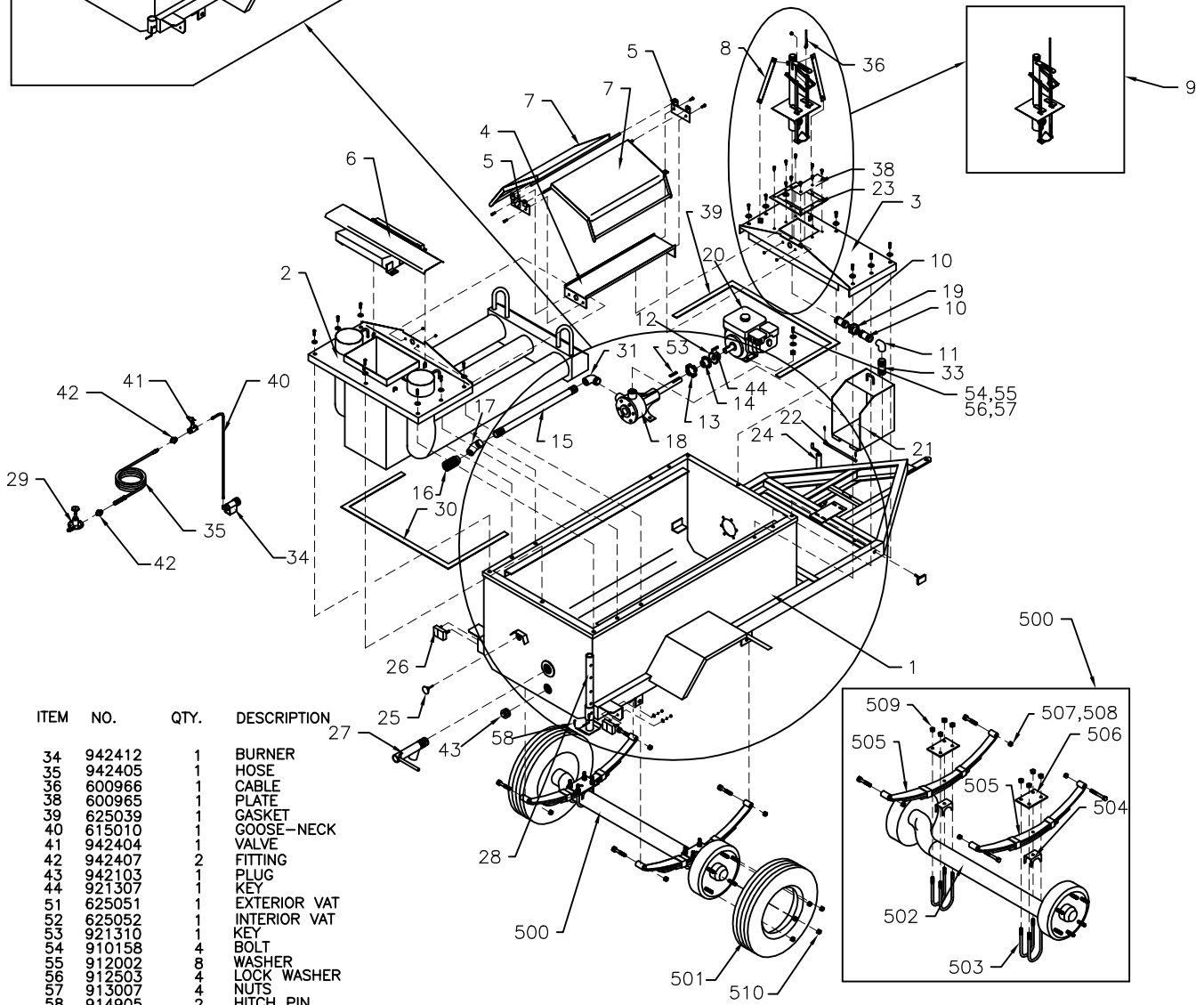


ITEM	NO.	QTY.	DESCRIPTION
1	625001	1	FRAME
2	625002	1	HEATING UNIT
3	625003	1	COVER
4	625004	1	COVER
5	625005	2	LID SUPPORT
6	625006	1	COVER
7	600930	2	LID
8	600933	3	FLAT BAR
9	600901	1	SAFETY FLOW VALVE ASSY.
10	942005	2	NIPPLE
11	942085	1	ELBOW
12	940123	1	COUPLING
13	940125	1	CHAIN
14	940124	1	COUPLING
15	942011	1	PIPE
16	600924	1	STRAINER
17	942065	1	ELBOW
18	942302	1	PUMP
19	942042	1	UNION
20	950270	1	ENGINE
21	600936	1	COVER
22	600937	1	GASKET
23	600929	1	ROD
24	942920	1	JACK
25	942501	1	TERMOMETER
26	942900	1	LIGHT ASSY.
27	601201	1	DRAINCOCK
28	600916	1	LEG
29	942400	1	REGULATOR
30	625030	1	GASKET
31	942065	1	ELBOW
33	942002	1	NIPPLE



ITEM	NO.	QTY.	DESCRIPTION
34	942412	1	BURNER
35	942405	1	HOSE
36	600966	1	CABLE
38	600965	1	PLATE
39	625039	1	GASKET
40	615010	1	GOOSE-NECK
41	942404	1	VALVE
42	942407	2	FITTING
43	942103	1	PLUG
44	921307	1	KEY
51	625051	1	EXTERIOR VAT
52	625052	1	INTERIOR VAT
53	921310	1	KEY
54	910158	4	BOLT
55	912002	8	WASHER
56	912503	4	LOCK WASHER
57	913007	4	NUTS
58	914905	2	HITCH PIN
500	942203	1	AXLE
501	935040	2	WHEEL
510	942260	10	NUTS

MADE UNTIL NOVEMBER 2010

DATE:	04.10.1999	250 IMP. GAL. KETTLE 300 US. GAL. KETTLE
REV.:	11.30.2010	
EQUIPEMENT GRIZZLY EQUIPEMENT		625000