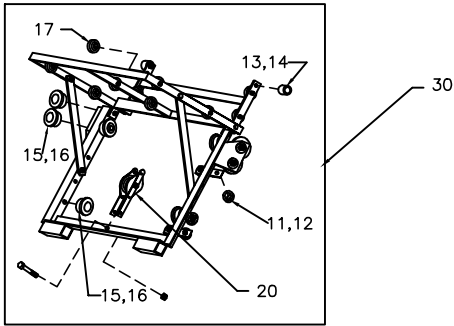
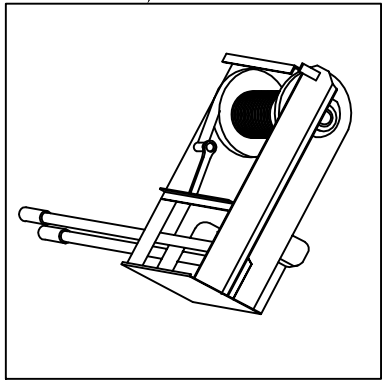
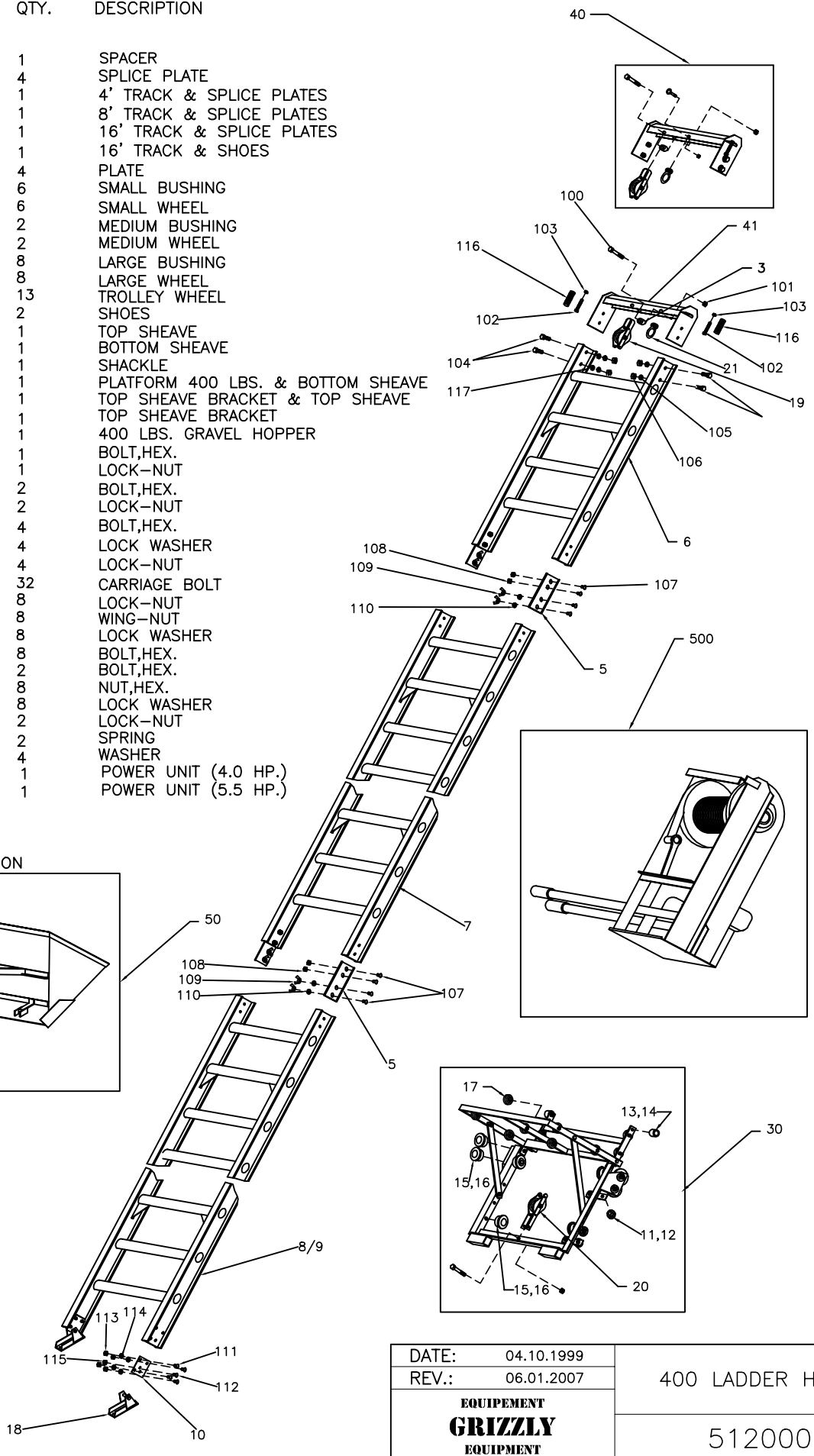
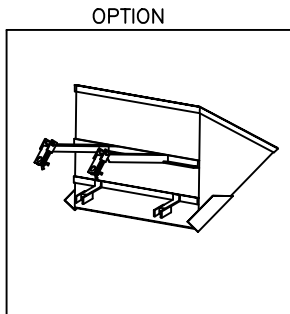


| ITEM | NO.    | QTY. | DESCRIPTION                       |
|------|--------|------|-----------------------------------|
| 3    | 511003 | 1    | SPACER                            |
| 5    | 511005 | 4    | SPLICE PLATE                      |
| 6    | 512006 | 1    | 4' TRACK & SPLICE PLATES          |
| 7    | 512007 | 1    | 8' TRACK & SPLICE PLATES          |
| 8    | 512008 | 1    | 16' TRACK & SPLICE PLATES         |
| 9    | 512009 | 1    | 16' TRACK & SHOES                 |
| 10   | 511010 | 4    | PLATE                             |
| 11   | 511011 | 6    | SMALL BUSHING                     |
| 12   | 511012 | 6    | SMALL WHEEL                       |
| 13   | 511013 | 2    | MEDIUM BUSHING                    |
| 14   | 511014 | 2    | MEDIUM WHEEL                      |
| 15   | 511015 | 8    | LARGE BUSHING                     |
| 16   | 511016 | 8    | LARGE WHEEL                       |
| 17   | 940185 | 13   | TROLLEY WHEEL                     |
| 18   | 941410 | 2    | SHOES                             |
| 19   | 921721 | 1    | TOP SHEAVE                        |
| 20   | 921721 | 1    | BOTTOM SHEAVE                     |
| 21   | 915054 | 1    | SHACKLE                           |
| 30   | 512030 | 1    | PLATFORM 400 LBS. & BOTTOM SHEAVE |
| 40   | 512040 | 1    | TOP SHEAVE BRACKET & TOP SHEAVE   |
| 41   | 512041 | 1    | TOP SHEAVE BRACKET                |
| 50   | 512050 | 1    | 400 LBS. GRAVEL HOPPER            |
| 100  | 910362 | 1    | BOLT,HEX.                         |
| 101  | 913515 | 1    | LOCK-NUT                          |
| 102  | 910159 | 2    | BOLT,HEX.                         |
| 103  | 913507 | 2    | LOCK-NUT                          |
| 104  | 910152 | 4    | BOLT,HEX.                         |
| 105  | 912503 | 4    | LOCK WASHER                       |
| 106  | 913007 | 4    | LOCK-NUT                          |
| 107  | 911152 | 32   | CARRIAGE BOLT                     |
| 108  | 913599 | 8    | LOCK-NUT                          |
| 109  | 913407 | 8    | WING-NUT                          |
| 110  | 912503 | 8    | LOCK WASHER                       |
| 111  | 910051 | 8    | BOLT,HEX.                         |
| 112  | 910104 | 2    | BOLT,HEX.                         |
| 113  | 913003 | 8    | NUT,HEX.                          |
| 114  | 912501 | 8    | LOCK WASHER                       |
| 115  | 913505 | 2    | LOCK-NUT                          |
| 116  | 937005 | 2    | SPRING                            |
| 117  | 912002 | 4    | WASHER                            |
| 500  | 511500 | 1    | POWER UNIT (4.0 HP.)              |
|      | 512500 | 1    | POWER UNIT (5.5 HP.)              |



|  |            |                  |
|--|------------|------------------|
| DATE:                                    | 04.10.1999 | 400 LADDER HOIST |
| REV.:                                    | 06.01.2007 |                  |
| EQUIPMENT<br><b>GRIZZLY</b><br>EQUIPMENT |            | 512000           |