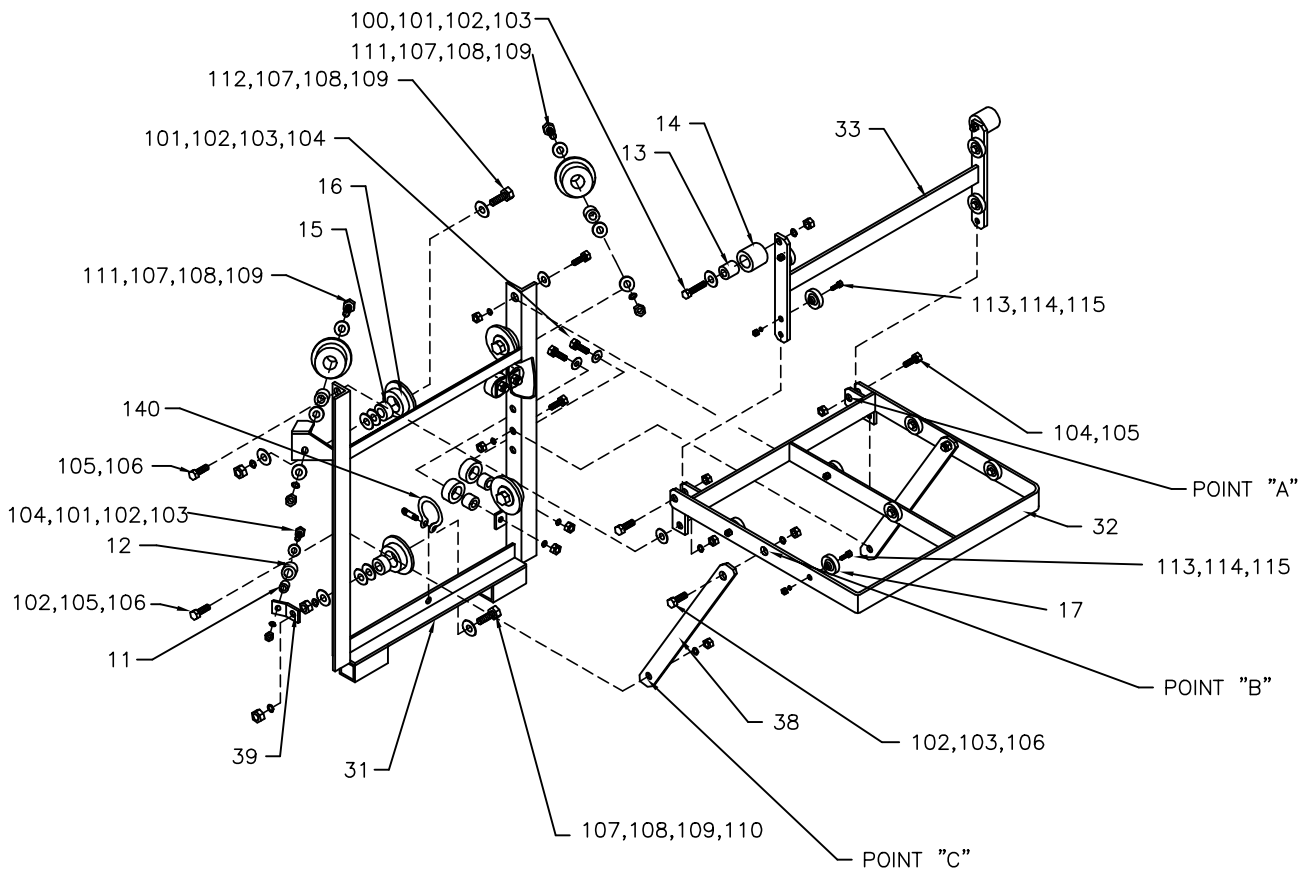


ITEM	NO.	QTY.	DESCRIPTION
11	511011	6	SMALL BUSHING
12	511012	6	SMALL WHEEL
13	511013	2	MEDIUM BUSHING
14	511014	2	MEDIUM WHEEL
15	511015	6	LARGE BUSHING
16	511016	6	LARGE WHEEL
17	940185	10	TROLLEY WHEEL
31	511031	1	MAIN FRAME
32	511032	1	PLATFORM
33	511033	1	PIVOT BRACKET
38	511038	2	BRACE
39	511039	2	SUPPORT
100	910156	2	BOLT, HEX.
101	912003	10	WASHER
102	912503	12	LOCKWASHER
103	913007	12	NUT, HEX.
104	910155	6	BOLT, HEX.
105	913507	6	LOCKNUT
106	910152	6	BOLT, HEX.
107	912004	22	WASHER
108	912504	8	LOCKWASHER
109	913009	8	NUT, HEX.
110	910209	2	BOLT, HEX.
111	910207	2	BOLT, HEX.
112	910208	2	BOLT, HEX.
113	910054	10	BOLT, HEX.
114	912501	10	LOCKWASHER
115	913003	10	NUT, HEX.
140	915054	1	SHACKLE



DATE:	06.04.1997	PLATFORM ASSY.LH 250
REV.:	07.01.2016	
EQUIPEMENT GRIZZLY EQUIPEMENT		511030