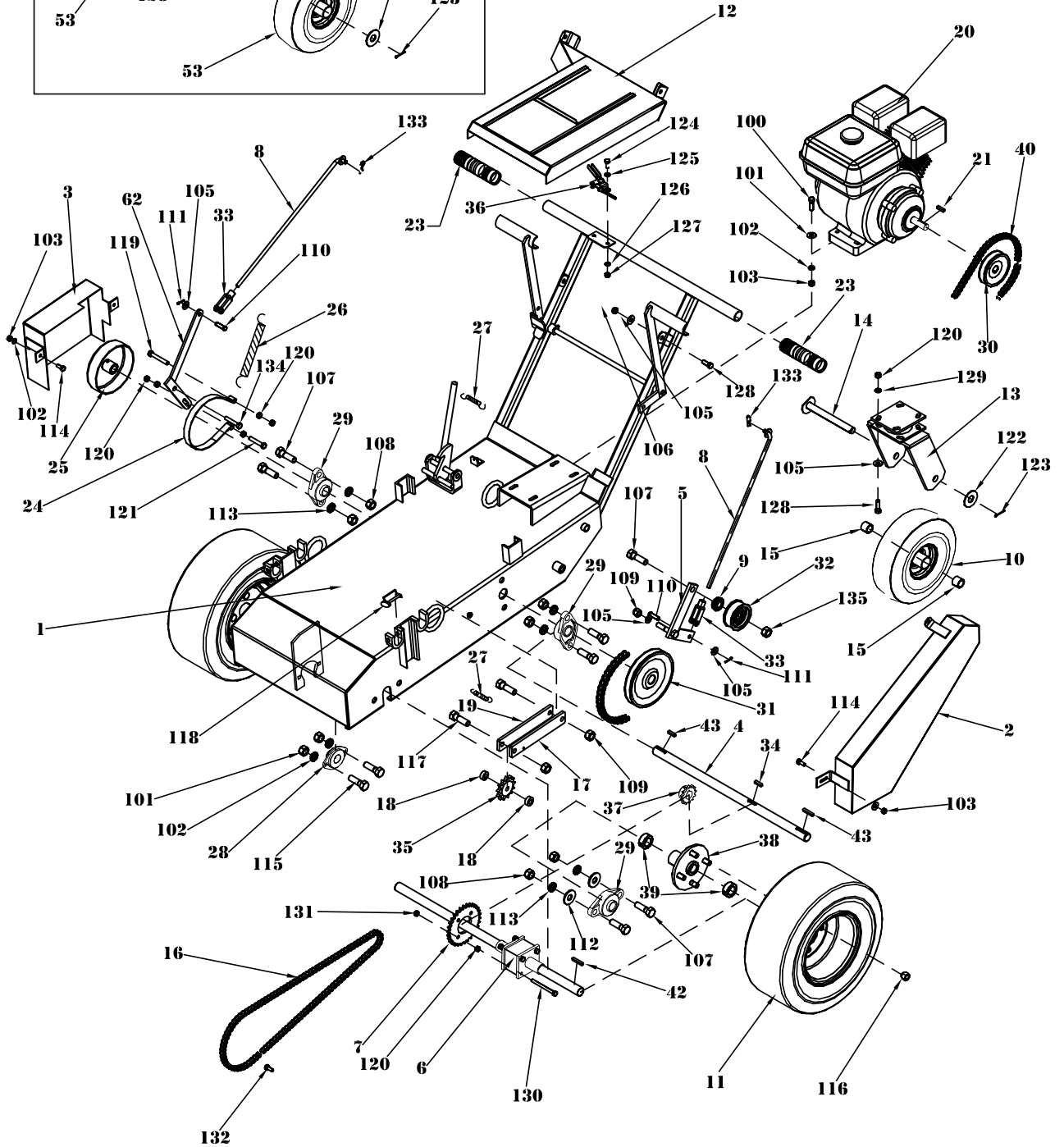
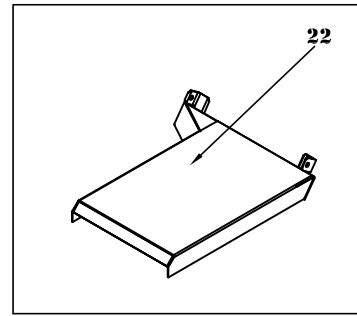
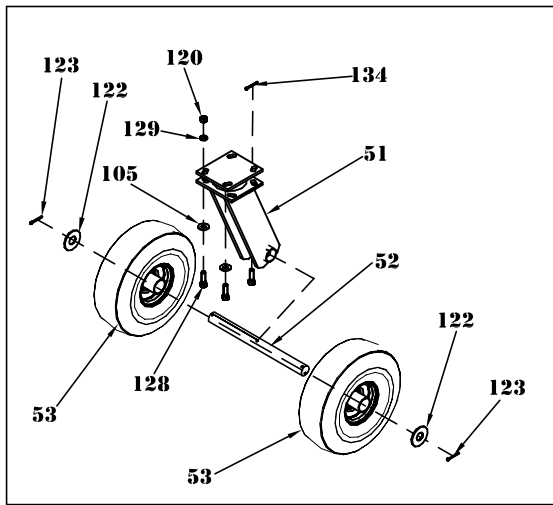


OPTION-340050



DATE:	01.01.2001	PREDATOR
REV.:	01.01.2005	
<b>EQUIPEMENT GRIZZLY EQUIPMENT</b>		340000

ITEM	NO.	QTY.	DESCRIPTION	ITEM	NO.	QTY.	DESCRIPTION
1	340001	1	FRAME	100	910107	4	BOLT, HEX.
2	340002	1	IDLER COVER	101	912002	6	WASHER
3	340003	1	BRAKE COVER	102	912502	6	LOCK-WASHER
4	340004	1	SHAFT	103	913005	12	NUT,HEX.
5	340005	1	CLUTCH HANDLE	104	910152	2	BOLT,HEX.
6	340006	1	DIFFERENTIAL	105	912003	7	WASHER
7	340007	1	SPROCKET	106	913507	2	LOCK-WASHER
8	340008	1	CLUTCH ROD	107	910356	11	BOLT, HEX.
9	340009	1	SPACER WASHER	108	913015	8	NUT, HEX.
10	935023	1	WHEEL,REAR	109	913511	3	LOCK-NUT
11	935019	1	WHEEL,FRONT	110	914214	2	COTTER PIN
12	340012	1	ENGINE COVER,W/SLIDING DOOR	111	914649	2	COTTER PIN
13	340013	1	SWIVEL FORK	112	912007	4	WASHER
14	340014	1	SHAFT	113	912507	10	LOCK-WASHER
15	340015	2	SPACER	114	910103	4	BOLT,HEX.
16	340016	1	CHAIN	115	911102	2	BOLT
17	340017	1	TENSIONER PLATE, SPRING SIDE	116	915301	8	NUT, HEX.
18	340018	1	SPACER WASHER	117	910260	2	BOLT,HEX.
19	340019	1	TENSIONER PLATE	118	940161	2	SPRING LOCK PIN
20	950200	1	ENGINE	119	910158	1	BOLT, HEX.
21	921302	1	KEY	120	913007	5	NUT,HEX.
22	341012	1	ENGINE COVER	121	910156	1	BOLT, HEX.
23	940007	2	HANDLE GRIP	122	912023	1	WASHER
24	940230	1	BRAKE BAND	123	914704	1	COTTER PIN
25	940240	1	BRAKE DRUM	124	910600	1	BOLT, HEX.
26	937011	1	SPRING	125	912000	1	WASHER
27	937007	2	SPRING	126	912500	1	LOCK-WASHER
28	923161	1	BEARING C/A FLANGES	127	913001	1	NUT,HEX.
29	923122	4	FLANGE BEARING	128	910153	4	BOLT,HEX.
30	921138	1	PULLEY	130	910112	4	BOLT,HEX.
31	921172	1	PULLEY	131	913505	4	LOCK-WASHER
32	921402	1	PULLEY	132	934034	1	MASTER LINK
33	915008	2	SWIVEL	133	914905	2	HITCH PIN
34	921306	1	KEY	135	913515	1	LOCK-NUT
35	936721	1	SPROCKET				
36	940180	1	THROTTLE CONTROL		340050		OPTION DOUBLE WHEEL
37	936111	1	SPROCKET				
38	370014	2	HUB ASSY.	51	341013	1	SWIVEL WHEEL
39	923342	4	SET COLLAR	52	341014	1	SHAFT
40	920104	1	BELT	53	935020	2	WHEEL,REAR
42	921308	2	KEY	122	912023	2	WASHER
43	921307	2	KEY	123	914704	2	COTTER PIN
62	330062	1	LEVER,BRAKE	134	914757	1	COTTER PIN

DATE:	01.01.2001	PREDATOR
REV.:	11.01.2013	
<b>EQUIPEMENT GRIZZLY EQUIPEMENT</b>		340000