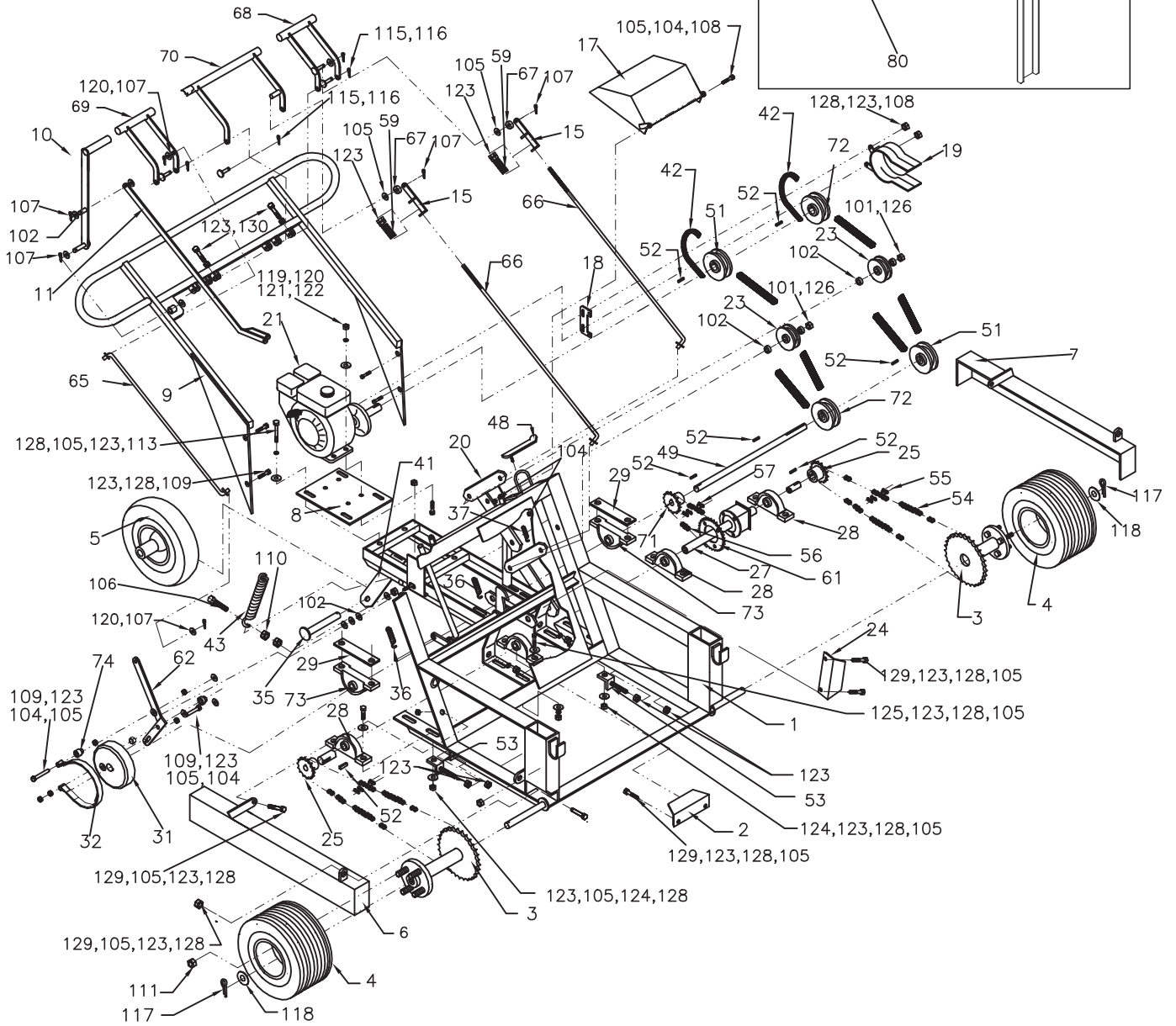
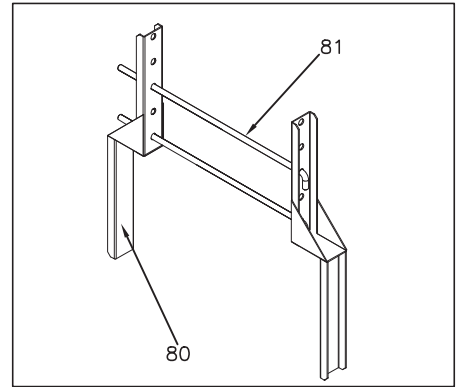


OPTION



DATE:	11.01.2005	WORKHORSE
REV.:	11.01.2005	
EQUIPEMENT GRIZZLY EQUIPMENT		334000

ITEM	NO.	QTY.	DESCRIPTION	ITEM	NO.	QTY.	DESCRIPTION
1	334001	1	FRAME	68	334069	1	CLUTCH HANDLE,2ND SPEED
2	334002	1	PLATE	69	330069	1	BRAKE HANDLE
3	330003	2	HUB ASSY.	70	334070	1	CLUTCH HANDLE,1ND SPEED
4	935013	2	WHEEL, FRONT	71	936111	1	SPROCKET
5	935010	1	WHEEL, REAR	72	921151	2	PULLEY
6	330006	1	CHAINE GUARD, RIGHT	73	923181	2	BEARING
7	330007	1	CHAINE GUARD, LEFT	74	330071	1	BRAKE SPACER
8	330008	1	ENGINE BASE	101	910260	1	BOLT, HEX
9	334009	1	HANDLEBAR	102	912005	12	WASHER
10	334010	1	LEVER, DOOR	103	910258	1	BOLT, HEX
11	332011	1	CONTROL LINK	104	913507	13	LOCK-NUT
15	330015	2	CLUTCH LINKAGE	105	912003	44	WASHER
17	334017	1	ENGINE COVER	106	910278	1	BOLT, HEX
18	334018	1	BELT GUARD BRACKET	107	914703	4	COTTER PIN
19	334019	1	BELT GUARD	108	910153	4	BOLT, HEX
20	334067	1	IDLER ARM	109	910156	6	BOLT, HEX
21	950270	1	ENGINE	110	913111	3	NUT, HEX
23	921402	2	IDLER PULLEY	111	915301	8	NUT, HEX.
24	334003	1	COVER	112	910162	1	BOLT, HEX
25	936110	2	SPROCKET	113	910157	4	BOLT, HEX
27	940221	1	DIFFERENTIAL	114	913003	1	NUT, HEX.
28	923180	4	PILLOW BLOCK BEARING	115	914214	4	CLEVIS PIN
29	330029	2	BEARING PLATE	116	914702	4	COTTER PIN
31	940240	1	BRAKE DRUM	117	914754	2	COTTER PIN
32	940230	1	BRAKE BAND	118	912013	2	WASHER
35	900010	1	WHEEL AXLE	119	910106	4	BOLT, HEX
36	937011	2	SPRING	120	912002	4	WASHER
41	900005	1	SWIVEL FORK	121	913005	6	NUT, HEX.
42	920083	2	BELT	122	912502	4	LOCK-WASHER
43	937017	1	SPRING	123	913007	36	NUT, HEX.
44	937007	1	SPRING	124	910155	4	BOLT, HEX
47	334069	1	CLUTCH HANDLE	125	910154	6	BOLT, HEX
48	330048	2	LOCK	126	913511	2	LOCK-NUT
49	334022	1	SHAFT	127	911151	1	CARRIAGE BOLT
51	921133	2	PULLEY	128	912503	26	LOCK-WASHER
52	921302	8	KEY	129	910152	6	BOLT,HEX.
53	330053	2	CHAIN AJUST. SCREW	OPTION FOR HOT TANK			
54	330054	2	CHAIN	ITEM	NO.	QTY.	DESCRIPTION
55	934034	3	MASTER LINK	80	330100	2	CHANNEL IRON
56	330056	1	CHAIN	81	144101	2	TANK ROD
57	934035	1	LINK, OFFSET				
59	937003	2	SPRING				
61	330061	1	SPROCKET				
62	330062	1	LEVER, BRAKE				
65	334065	1	BRAKE ROD				
66	330058	2	CLUTCH ROD				
67	330067	2	BUSHING				

DATE:	11.01.2005	334000
REV.:	11.01.2005	
EQUIPEMENT GRIZZLY EQUIPMENT		WORKHORSE