

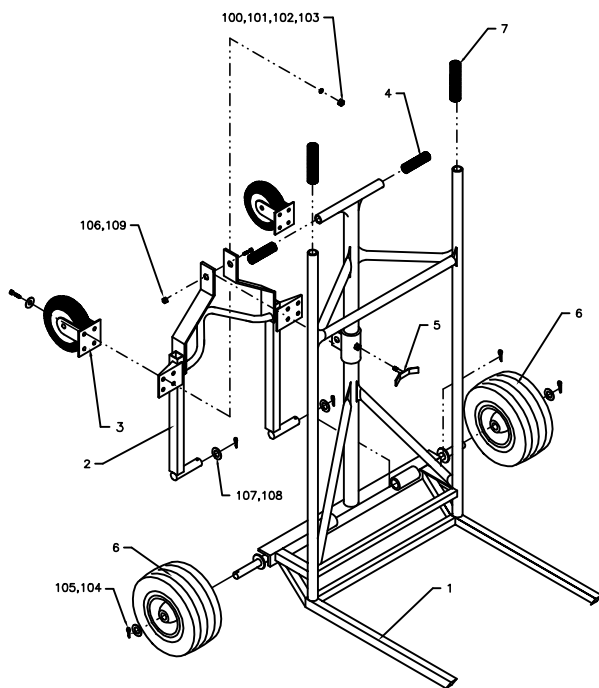
ITEM	NO.	QTY.	DESCRIPTION
1	227001	1	FRAME
2	935006	2	WHEEL, REAR
3	940007	2	HANDLE GRIP
4	940005	2	HANDLE GRIP
100	914755	2	COTTER PIN
101	912021	2	WASHER

DATE: 07.07.1998
REV.: 01.01.2005

EQUIPMENT
GRIZZLY
EQUIPMENT

TRANSPORTER

227000



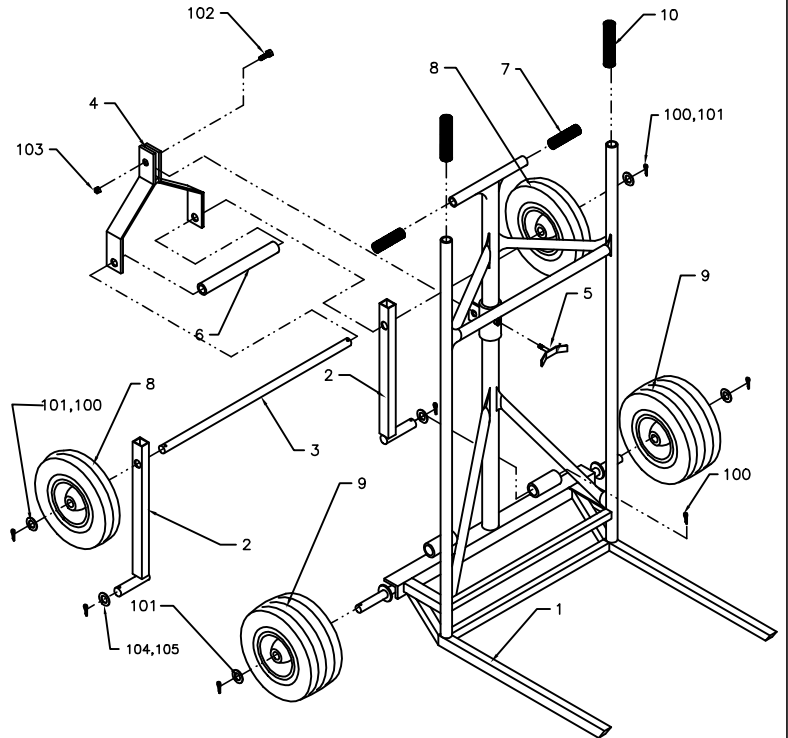
ITEM	NO.	QTY.	DESCRIPTION
1	225001	1	FRAME
2	225002	1	WHEEL SUPPORT ASSY.
3	935051	2	WHEEL, FRONT
4	940005	2	HANDLE GRIP
5	900008	1	LOCK SCREW
6	935006	2	WHEEL, REAR
7	940007	2	HANDLE GRIP
100	910152	8	BOLT, HEX
101	912503	8	WASHER
102	912002	8	WASHER
103	913007	8	NUT, HEX
104	914755	2	BOLT, HEX
105	912021	2	LOCK-WASHER
106	913511	1	LOCK-NUT
107	912023	2	WASHER
108	914703	2	COTTER PIN
109	910254	1	BOLT, HEX

DATE: 07.07.1998
REV.: 01.01.2005

EQUIPMENT
GRIZZLY
EQUIPMENT

TRANSPORTER

225000



ITEM	NO.	QTY.	DESCRIPTION
1	226001	1	FRAME
2	226002	2	WHEEL SUPPORT
3	226003	1	WHEEL SHAFT
4	226004	1	WHEEL FORK
5	900008	1	LOCK SCREW
6	226006	1	SPACER
7	940005	2	HANDLE GRIP
8	935009	2	WHEEL, REAR
9	935006	2	WHEEL, FRONT
10	940007	2	HANDLE GRIP
100	914755	6	COTTER PIN
101	912021	4	WASHER
102	910253	1	BOLT, HEX.
103	913511	1	LOCK-NUT
104	912023	2	WASHER
105	914703	2	COTTER PIN

DATE: 07.07.1998
REV.: 01.01.2005

EQUIPMENT
GRIZZLY
EQUIPMENT

TRANSPORTER

226000