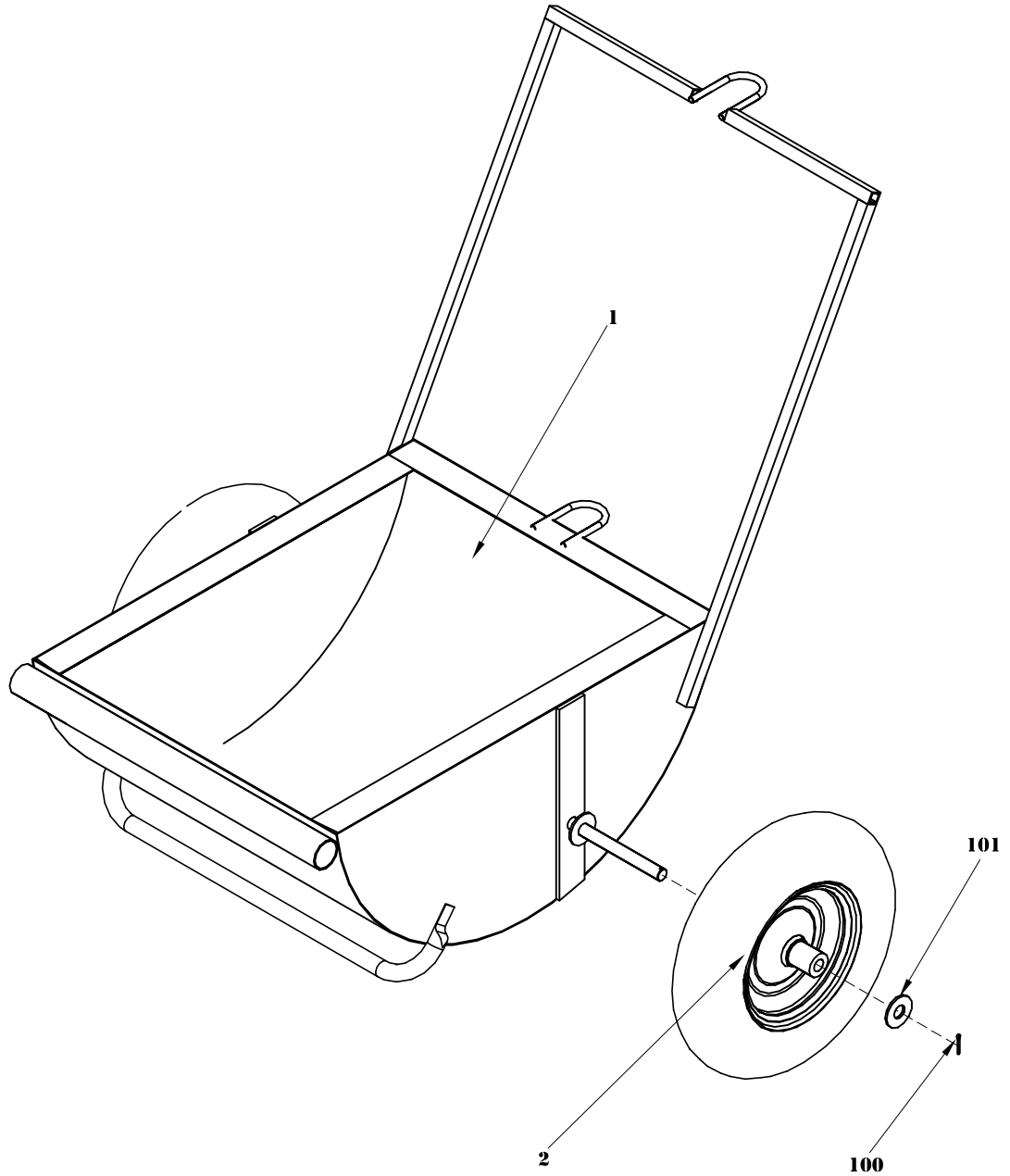


ITEM.	NO.	QTY.	DESCRIPTION
1	122001	1	FRAME
2	935010	2	WHEEL
100	914703	2	COTTER PIN
101	912023	2	WASHER



DATE:	08.01.2008	MOP BUGGY
REV.:	08.01.2008	
<b>EQUIPMENT GRIZZLY EQUIPMENT</b>		122000