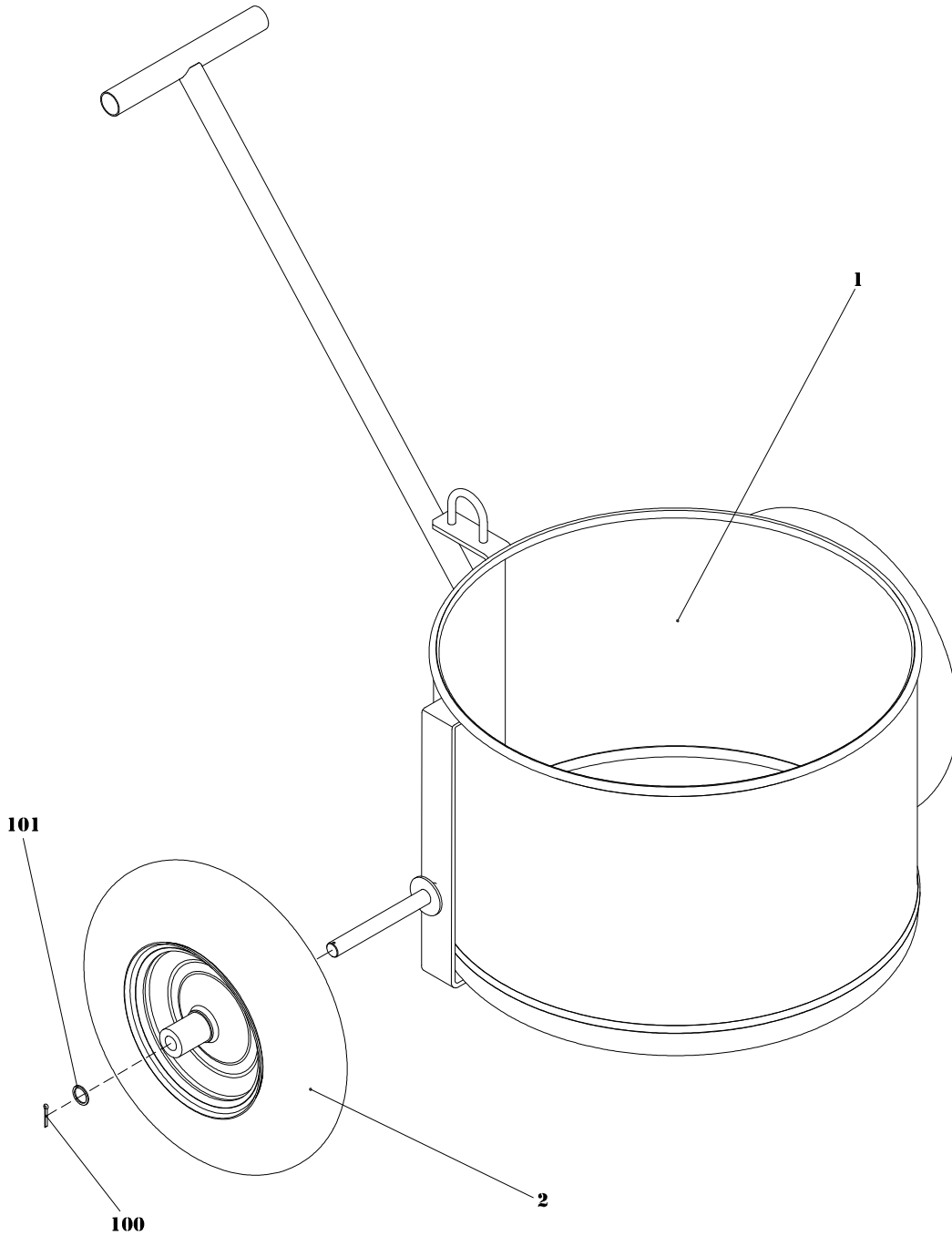


ITEM.	NO.	QTY.	DESCRIPTION
1	121001	1	FRAME
2	935010	2	WHEEL
100	914703	2	COTTER PIN
101	912023	2	WASHER



DATE:	03.21.2000	MOP BUGGY
REV.:	01.01.2005	
EQUIPMENT GRIZZLY EQUIPMENT		121000