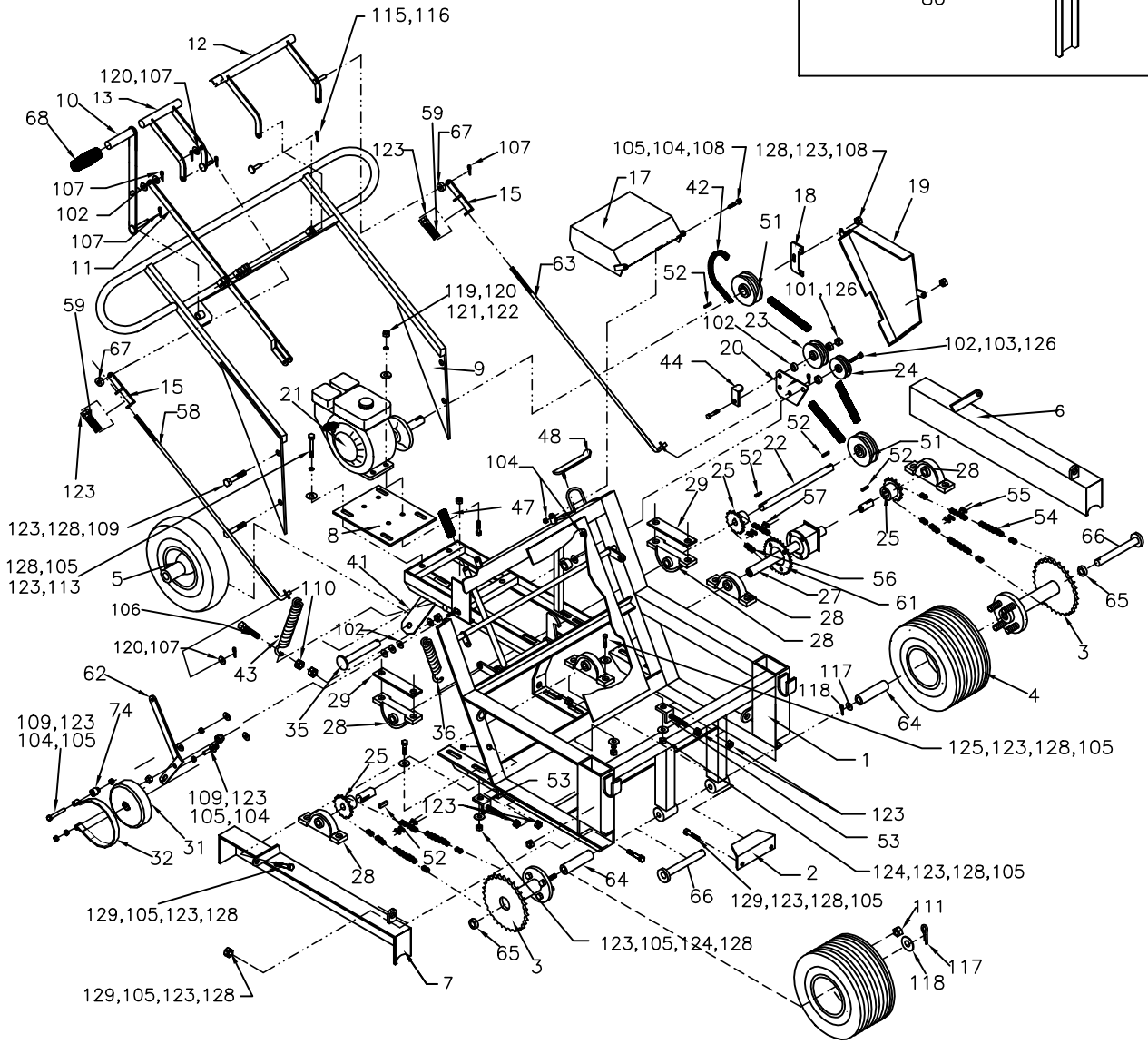
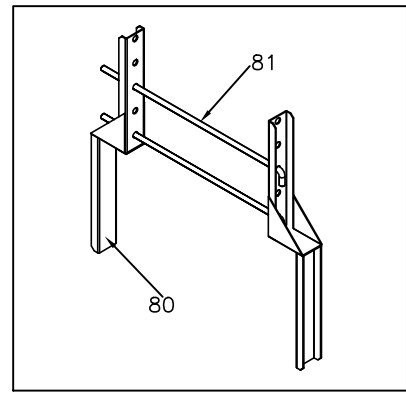


OPTION



MADE FROM AUGUST 1999 UNTIL DECEMBER 2000

DATE:	08.01.1999	WORKHORSE WHEELS UNDER
REV.:	06.01.2012	
<b>EQUIPMENT GRIZZLY EQUIPMENT</b>		333000A

ITEM	NO.	QTY.	DESCRIPTION	ITEM	NO.	QTY.	DESCRIPTION
1	333001	1	FRAME	67	330067	2	BUSHING
2	330002	1	PLATE	68	940005	1	HANDLE GRIP
3	333003	2	HUB ASSY.	74	330071	1	BRAKE SPACER
4	935013	2	WHEEL, FRONT	101	910262	1	BOLT, HEX
5	935010	1	WHEEL, REAR	102	912005	3	WASHER
6	333006	1	CHAINE GUARD, RIGHT	103	910257	1	BOLT, HEX
7	333007	1	CHAINE GUARD, LEFT	104	913507	36	LOCK-NUT
8	330008	1	ENGINE BASE	105	912003	40	WASHER
9	330009	1	HANDLEBAR	106	910153	2	BOLT, HEX
10	330010	1	LEVER, DOOR	107	914603	9	COTTER PIN
11	330011	1	CONTROL LINK	108	910152	9	BOLT, HEX
12	330012	1	CLUTCH HANDLE	109	910156	4	BOLT, HEX
13	330013	1	LEVER, BRAKE	110	910109	1	BOLT, HEX
15	330015	2	CLUTCH LINKAGE	111	915301	8	NUT, HEX.
17	330017	1	ENGINE COVER	112	910162	1	BOLT, HEX
18	330018	1	BELT GUARD BRACKET	113	910158	4	BOLT, HEX
19	330019	1	BELT GUARD	114	913003	1	NUT, HEX.
20	330020	1	IDLER BRACKET	115	912501	1	LOCK-WASHER
21	950161	1	ENGINE	116	910055	1	BOLT, HEX
22	330022	1	SHAFT	117	914654	2	COTTER PIN
23	921401	1	IDLER PULLEY	118	912013	2	WASHER
24	921403	1	IDLER PULLEY	119	910107	4	BOLT, HEX
25	936110	3	SPROCKET	120	912002	4	WASHER
27	333027	1	DIFFERENTIAL	121	913005	6	NUT, HEX.
28	923180	6	PILLOW BLOCK BEARING	122	912502	4	LOCK-WASHER
29	330029	2	BEARING PLATE	123	913007	6	NUT, HEX.
31	330031	1	BRAKE DRUM	124	910155	10	BOLT, HEX
32	940230	1	BRAKE BAND	125	910154	1	BOLT, HEX
35	900010	1	WHEEL AXLE	126	913511	2	LOCK-NUT
36	937011	1	SPRING	127	911151	1	CARRIAGE BOLT
41	900005	1	SWIVEL FORK	128	912503	4	LOCK-WASHER
42	920219	1	BELT	129	910152	6	BOLT,HEX.
43	937017	1	SPRING				
44	330044	1	BELT GUIDE				OPTION FOR HOT TANK
47	940001	1	HANDLE GRIP				ITEM NO. QTY. DESCRIPTION
48	330048	2	LOCK	80	330100	2	CHANNEL IRON
51	921044	2	PULLEY	81	144101	2	TANK ROD
52	921302	5	KEY				
53	330053	2	CHAIN AJUST. SCREW				
54	333054	2	CHAIN, LARGE				
55	934034	3	MASTER LINK				
56	330056	1	CHAIN, SMALL				
57	934035	1	LINK, OFFSET				
58	330058	1	BRAKE ROD				
59	937003	2	SPRING				
61	330061	1	SPROCKET				
62	330062	1	LEVER, BRAKE				
63	330063	1	CLUTCH ROD				
64	333005	2	SPACER				
65	333004	2	SPACER				
66	333002	2	WHEEL SHAFT				

MADE FROM AUGUST 1999 UNTIL DECEMBER 2000

DATE:	08.01.1999	WORKHORSE WHEELS UNDER
REV.:	06.01.2012	
<b>EQUIPEMENT GRIZZLY EQUIPEMENT</b>		333000A