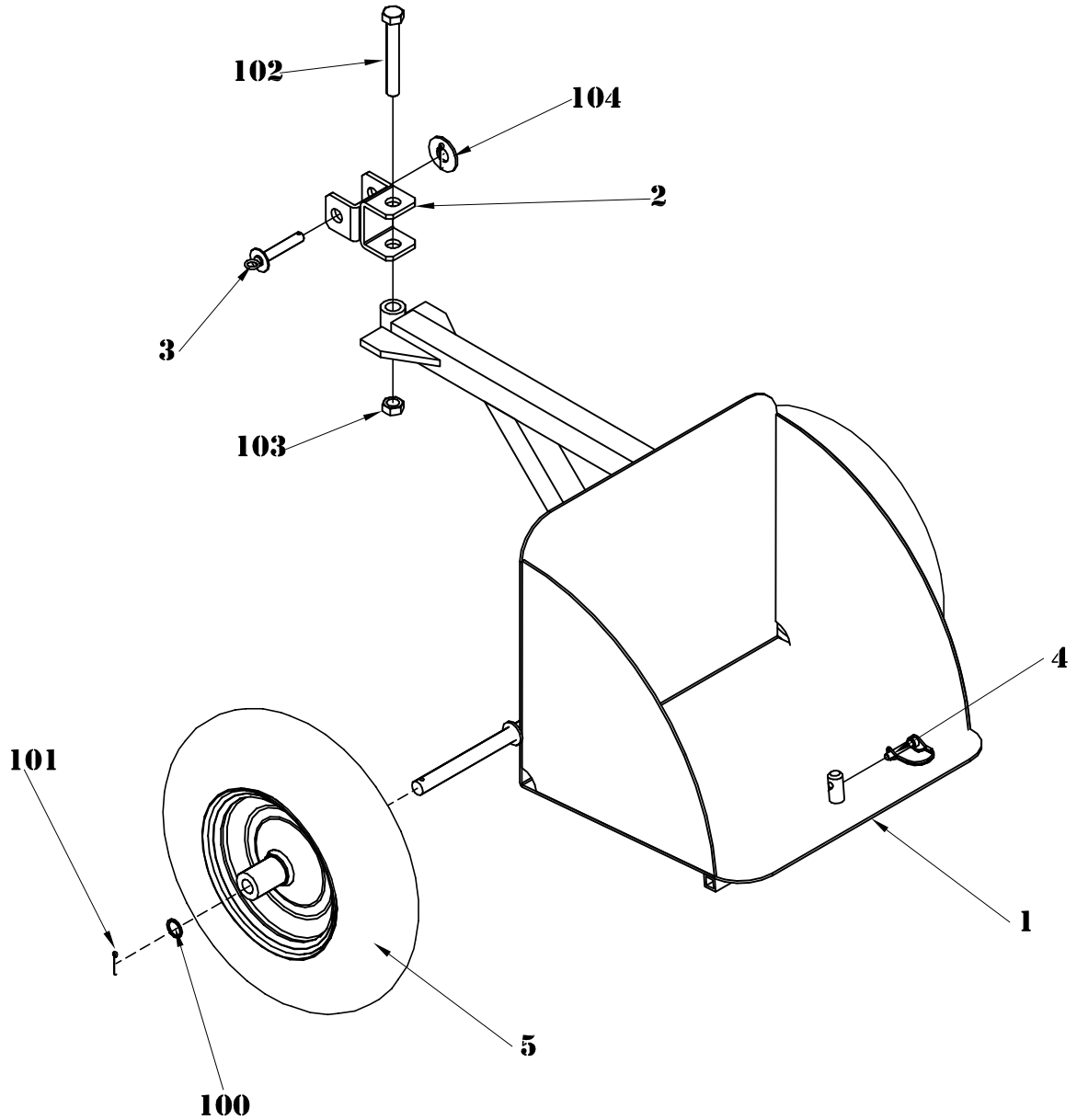


ITEM.	NO.	QTY.	DESCRIPTION
1	332201	1	FRAME
2	332202	1	JOINT
3	332018	1	PIN
4	940160	1	COTTER PIN
5	935010	2	WHEEL
100	912023	2	WASHER
101	914703	2	COTTER PIN
102	910924	1	BOLT,HEX.
103	913517	1	LOCK-NUT
104	940164	1	COTTER PIN



DATE:	07.0712008	BUGGY
REV.:	07.01.2008	
EQUIPEMENT GRIZZLY EQUIPEMENT		332200